

# High Intensity LED Range Light

## SL-RL Series



The Sealite SL-RL Series is a long range, high intensity range light designed to give vessels clear night and/or daytime navigation. A daytime range of over 5NM and a night-time range in excess of 23NM can be achieved.

### Long Range LED Optics with Ultra-Low Power Consumption

Providing over 424,000cd, the Sealite Range Light is highly efficient and ideal for solar power systems.

### Robust Construction

The Sealite Range Light is extremely robust and of high-quality construction. The unit is built from CNC machined marine grade aluminium alloy with a marine grade two-part epoxy coating. The IP67 rated enclosure offers maximum resistance to weather.

### Advanced PC or IR Programming

Sealite's convenient PC Configuration Tool or IR programmer allows a host of features to be user set including;

- Multiple intensity settings
- 310 flash settings including custom character
- Adjustable on/off lux levels
- Low battery threshold
- GPS synchronisation offset
- Alarm conditions

### Optional GPS Synchronisation

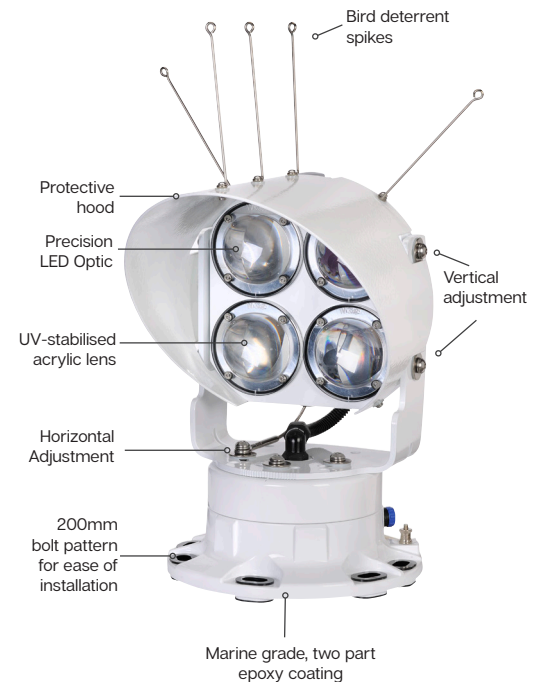
For flash synchronisation of lanterns a GPS module may be fitted. Multiple general purpose inputs and outputs allow for hardwire synchronisation and main/standby lantern configurations.

### Optional GSM Monitoring & Control System

The SL-RL-04 lantern may also be fitted with a GSM Cell-Phone Monitoring and Control System – enabling users to access real-time diagnostics data and change lantern settings via cell-phone. The system can also be configured to send out alarm SMS text messages to designated cellular telephone numbers. Users can also have alarms and reports sent to designated email addresses.

### Optional Type 1 or Type 3 AIS

The SL-RL-04 lanterns can be integrated with class-leading, low-powered Type 1 or Type 3 AIS.



## Reliable

- Over 424,000cd, white
- Over 5NM visible daytime range
- Over 23NM visible night-time range
- Wide operating voltage range: universal DC 10–30VDC or universal AC 110–240VAC
- PC or IR Programmer for setup, diagnostic and testing
- Internal or external photocell options
- User configurable day/night and twilight intensity settings
- Advanced remote monitoring features
- Internal data-logging for long term retention of key operational parameters and alarm conditions
- Optional solar powered configurations available

## Technical Specifications\*

### SL-RL-04

#### Light Characteristics

<b>Light Source</b>	High efficiency LED
<b>Available Colours</b>	White as standard. Other colours available on request
<b>Maximum Luminous Intensity (cd)†</b>	Refer to table
<b>Visible Range (NM)</b>	3deg vertical & 3deg horizontal, white: AT @ 0.74: 23.4NM night-time, 5NM daytime AT @ 0.85: 37.3NM night-time, 6.3NM daytime
<b>Vertical Divergence (degrees)</b>	3 as standard. Other options available
<b>Horizontal Output (degrees)</b>	3 & 8 as standard. Other options available
<b>Available Flash Characteristics</b>	Up to 310 including 256 IALA recommended and 1 custom
<b>Intensity Adjustments</b>	User adjustable
<b>LED Life Expectancy (hours)</b>	>100,000

#### Electrical Characteristics

<b>Power (W)</b>	VDC Model: up to 29W      VAC Model: up to 38W, 50VA
<b>Circuit Protection</b>	Polarity protected
<b>Nominal Voltage (VDC)</b>	VDC Model: 10–30 VDC      VAC Model: 110–240 VAC, 50-60Hz

#### Physical Characteristics

<b>Body Material</b>	Marine grade two-part epoxy coating
<b>Lens Material</b>	UV-stabilised acrylic
<b>Lens Design</b>	Multiple LED optic
<b>Mounting</b>	3 & 4 hole 200mm bolt pattern
<b>Height (mm/inches)</b>	332 / 13
<b>Width (mm/inches)</b>	226 / 9
<b>Depth (mm/lbs)</b>	317/12½
<b>Mass (kg/lbs)</b>	7.5 / 16.5
<b>Service Life</b>	15 years

#### Environmental Standards

<b>Shock</b>	MIL-STD-202G Test Condition H, Method 213B 30G vertical and 35G horizontal shock
<b>Vibration</b>	MIL-STD-202G, Test Condition B, Method 204D 5G in all axes
<b>Ice Loading</b>	Rated to withstand 22kg/m <sup>2</sup>
<b>Wind Exposure</b>	Rated to withstand 140 knots
<b>Hail Impact</b>	Rated to withstand 25mm diameter ice ball impact at 20m/s
<b>Humidity</b>	0 – 100%, condensing
<b>Temperature Range</b>	-40 to 80°C

#### Certifications

<b>CE &amp; Electrical</b>	FCC Part 15 Rules & ICES-003. EN61000-6-1: 2007 (IEC61000-6-1:2005) Part 6-1 Immunity. EN61000-6-3: 2007 (IEC61000-6-3: 2006) Electromagnetic compatibility (EMC) - Part 6-3 Emission. IEC61000-4-2: 2008 Ed 2 Part 4-2 Electrostatic discharge immunity test Level 4. IEC61000-4-3: 2010 Ed 3.2 Part 4-3. Radiated, radio-frequency, electromagnetic field immunity. IEC61000-4-6: 2008 Ed3. Electromagnetic compatibility (EMC) - Part 4-6 Immunity.
<b>IALA</b>	Signal colours compliant to IALA E-200-1
<b>Quality Assurance</b>	ISO9001:2015
<b>Waterproof</b>	IP67

#### Intellectual Property

<b>Trademarks</b>	SEALITE® is a registered trademark of Sealite Pty Ltd
-------------------	---

#### Warranty\*

<b>3-year warranty</b>	
------------------------	--

#### Options Available

<ul style="list-style-type: none"> <li>• GPS Synchronisation</li> <li>• AIS Type 1 or Type 3 (External)</li> <li>• GSM Monitoring &amp; Control System (External for AC, Internal for DC)</li> <li>• RS232/422/485 Port</li> </ul>	<ul style="list-style-type: none"> <li>• Hard-wire Synchronisation</li> <li>• Variety of solar/battery configurations</li> <li>• Multiple divergence lens</li> <li>• Bird deterrent spikes</li> </ul>
--	---

We believe technology improves navigation™



**Sealite Pty Ltd**  
Australia  
☎ +61 (0)3 5977 6128

**Sealite Asia Pte Ltd**  
Singapore  
☎ +65 6829 2243

**Sealite United Kingdom Ltd**  
UK  
☎ +44 (0) 1502 588026

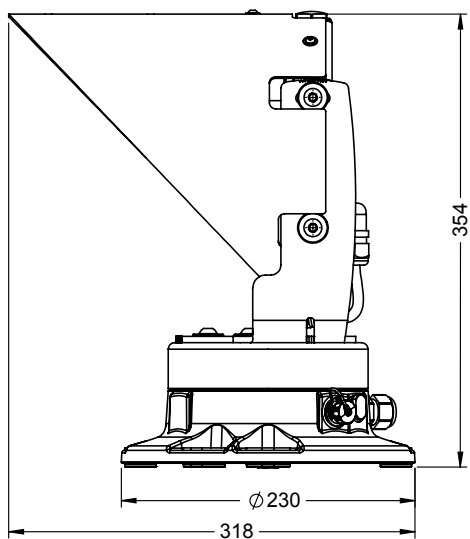
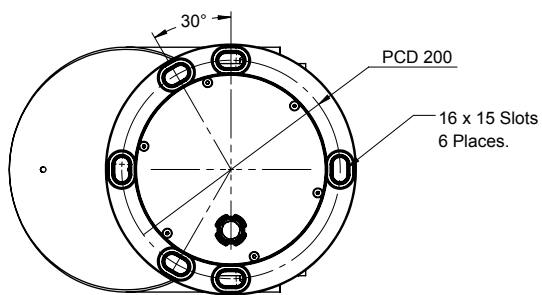
**Sealite USA LLC**  
USA  
☎ +1 (603) 737 1311



\* Specifications subject to change or variation without notice  
 † Intensity setting subject to solar availability  
 ‡ Subject to standard terms and conditions  
 § Refer to the Sealite website under the warranty section



# Technical Illustration



\* Subject to standard terms and conditions \* Intensity setting subject to solar availability

• Specifications subject to change or variation without notice  
 ^ Refer to the Sealite website under the warranty section



Optical Performance				
Maximum luminous intensity (cd)				
Divergence (deg)	RED	GREEN	WHITE	YELLOW
3(V) x 3(H)	120,000	150,000	424,000	150,000
3(V) x 8(H)	60,000	53,000	140,000	50,000

We believe technology improves navigation™



Sealite Pty Ltd  
 Australia  
 ☎ +61 (0)3 5977 6128

Sealite Asia Pte Ltd  
 Singapore  
 ☎ +65 6829 2243

Sealite United Kingdom Ltd  
 UK  
 ☎ +44 (0) 1502 588026

Sealite USA LLC  
 USA  
 ☎ +1 (603) 737 1311

