

# Mooring Buoy

SL-MB650 & SL-MB1000

Sealite have a range of mooring chains & accessories - ask your representative today how we can supply your complete mooring solution



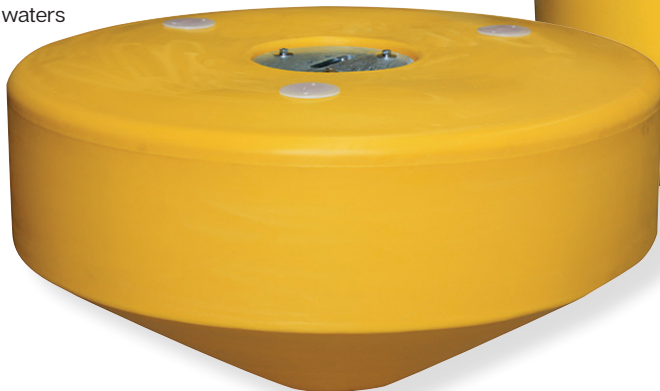
**Environmentally Friendly & Recyclable**

Sealite buoy products are made from recyclable materials. As a service to customers, individual components and products at the end of their service life may be returned to Sealite for recycling.

**Optional Mould-in Graphics Available**

## SL-MB 1000

The SL-MB 1000 has a 1000mm diameter offering increased visibility & buoyancy in deeper waters



Closed-cell polyurethane foam filled

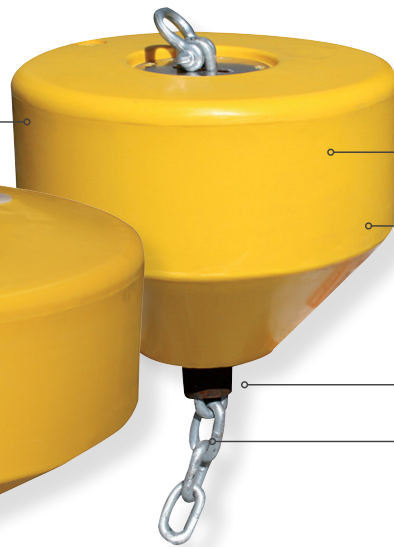
## SL-MB 650

Made from strong, durable, UV-stabilised, virgin polyethylene

Rotationally-moulded to 7mm wall thickness

Large mooring tube

Chain not included - range of mooring equipment available



The Sealite range of Mooring Buoys are designed to offer customers long life and are suitable for most locations.

The buoys are available in 650mm and 1000mm diameter. The mooring buoys are rotationally-moulded from UV-stabilised virgin polyethylene to a 7mm wall thickness, and are foam filled with closed-cell polyurethane to prevent water ingress in the unlikely event of damage to the outer layer.

The large mooring tube with 82.5mm ID will accept mooring chain of up to 20mm in diameter. The mooring tube is not moulded into the buoy but slides into a tubular section that runs down the centre of the buoy enabling the tube to be replaced at any stage during the product's service life.

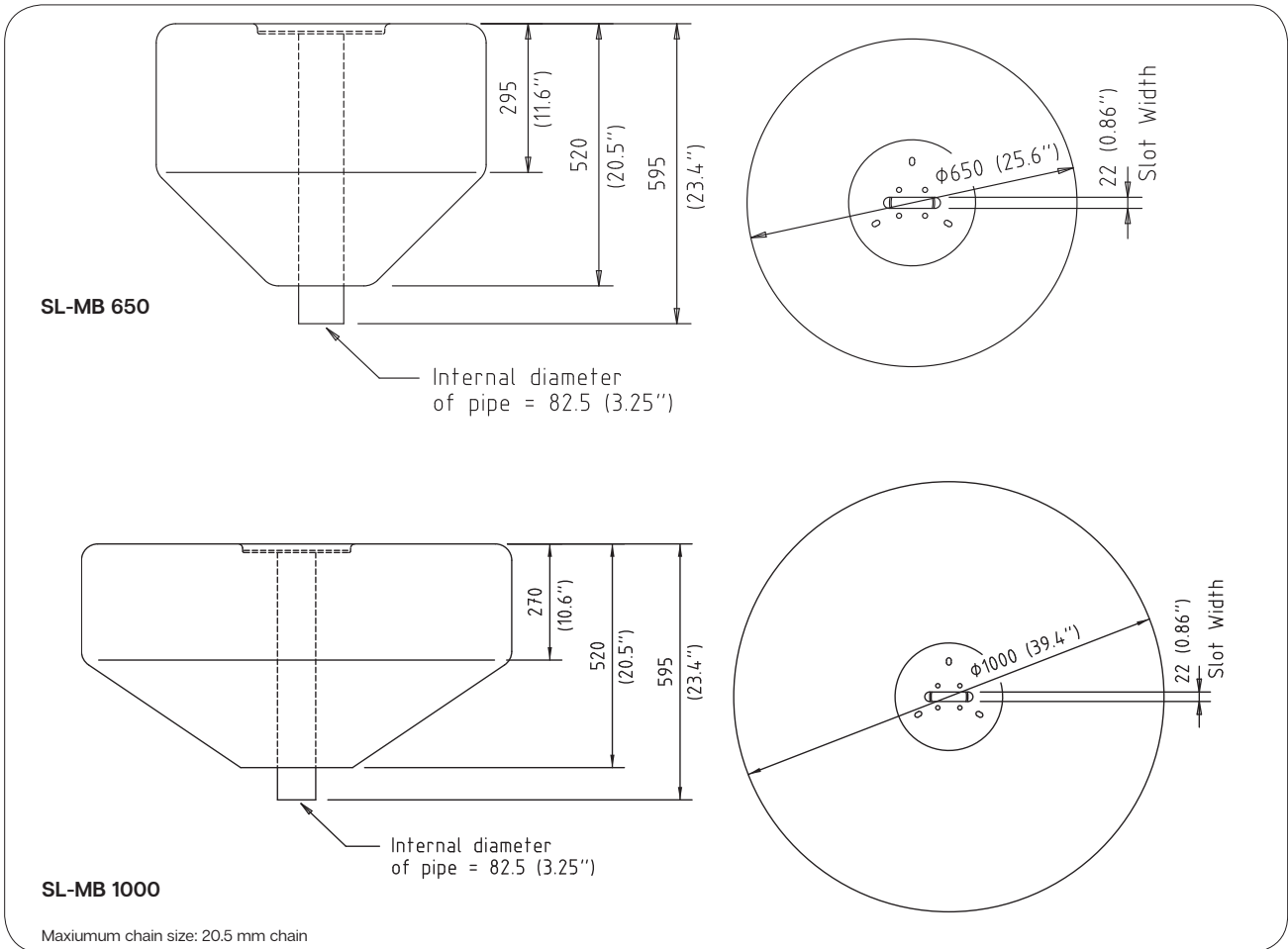
Sealite's SL-MB Mooring Buoys are capable of supporting substantial loads, and are available in a range of colours for clear visibility.

## The Sealite Advantage

- High visibility colours
- Strong, polyethylene construction
- Replaceable mooring tube
- Clear identification with optional graphics



## Technical Illustrations



## Technical Specifications\*

	SL-MB 650	SL-MB 1000
<b>General Characteristics</b>		
<b>Available Colours</b>	Red, Green, White, Yellow as per IALA Recommendations	Red, Green, White, Yellow as per IALA Recommendations
<b>Total Float Volume (ltrs/US gallon)</b>	136 / 36	290 / 76.6
<b>Reserve Buoyancy (kgs/lbs)</b>	70 / 154	145 / 320
<b>Draft, Maximum (mm/inches)</b>	450 / 17 <sup>3</sup> / <sub>4</sub>	450 / 17 <sup>3</sup> / <sub>4</sub>
<b>Freeboard, Minimum (mm/inches)</b>	145 / 5 <sup>3</sup> / <sub>4</sub>	145 / 5 <sup>3</sup> / <sub>4</sub>
<b>Submergence (kg/cm, lb/inches)</b>	3.4 / 19.1	8.1 / 45.4
<b>Physical Characteristics</b>		
<b>Material</b>	Rotationally-moulded UV-stabilised virgin polyethylene	Rotationally-moulded UV-stabilised virgin polyethylene
<b>Wall Thickness (mm/inches)</b>	7 / <sup>1</sup> / <sub>4</sub>	7 / <sup>1</sup> / <sub>4</sub>
<b>Filling</b>	Closed-cell polyurethane foam	Closed-cell polyurethane foam
<b>Height (mm/inches)</b>	595 / 23 <sup>3</sup> / <sub>4</sub>	595 / 23 <sup>3</sup> / <sub>4</sub>
<b>Width (mm/inches)</b>	650 / 25 <sup>3</sup> / <sub>4</sub>	1000 / 39 <sup>3</sup> / <sub>4</sub>
<b>Mass (kg/lbs)</b>	21 / 46	35 / 77
<b>Product Life Expectancy</b>	Up to 12 years ^	Up to 12 years ^
<b>Certifications</b>		
<b>IALA</b>	Surface colours compliant to IALA E-108	Surface colours compliant to IALA E-108
<b>Quality Assurance</b>	ISO9001:2015	ISO9001:2015
<b>Intellectual Property</b>		
<b>Trademarks</b>	SEALITE® is a registered trademark of Sealite Pty Ltd	SEALITE® is a registered trademark of Sealite Pty Ltd
<b>Warranty *</b>	1 year	1 year
<b>Options Available</b>	Custom signage	Custom signage



\* Specifications subject to change or variation without notice  
 ^ Refer to the Sealite website under the warranty section  
 \* Subject to standard terms and conditions  
 † Intensity setting subject to solar availability



We believe technology improves navigation™



Sealite Pty Ltd  
Australia  
☎ +61 (0)3 5977 6128

Sealite Asia Pte Ltd  
Singapore  
☎ +65 6829 2243

Sealite United Kingdom Ltd  
UK  
☎ +44 (0) 1502 588026

Sealite USA LLC  
USA  
☎ +1 (603) 737 1311

